



# TLGQW1507-500K



## HIGH CURRENT HIGH FREQUENCY POWER INDUCTOR

### Features

- Magnetically Shielded Power Inductor
- Used in SMPS, Power filtering and other Power Applications
- Operating Temperature: -55°C to +125°C
- Storage Temperature: -55°C to +125°C
- Halogen-free & RoHs compliant

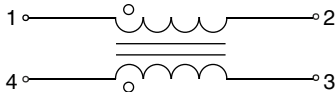
### Electrical Characteristics @25°C

| Part Number    | Inductance <sup>(1)</sup><br>(nH ±10% ) | Q <sup>(1)</sup><br>(Min.) | Isat <sup>(2)</sup><br>(A) | Rated Current <sup>(3)</sup><br>(A) | DCR <sup>(4)</sup><br>(mΩ) | Hipot<br>( VDC Min.) |
|----------------|---|----------------------------|----------------------------|-------------------------------------|----------------------------|----------------------|
| TLGQW1507-500K | 500                                     | 135                        | 40                         | 20                                  | 1.15 ±0.173                | 200                  |

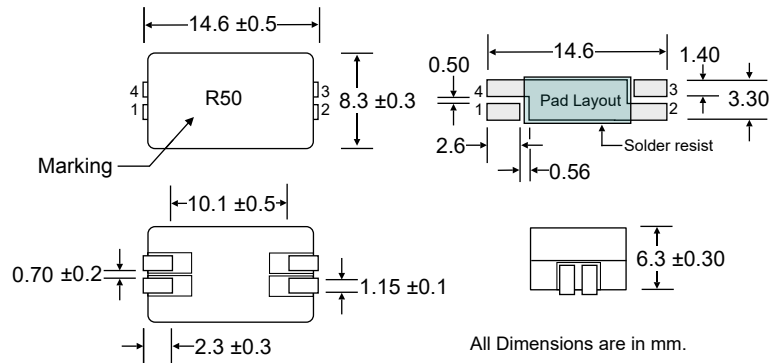
#### Notes:

- (1) Tested at 1MHz; 0.1Vrms. 0ADC (Pins 1-3, ,4 shorted)  
 (2) Peak DC Saturation current for 2% inductance roll-off.  
 (3) Current for approximate temperature rise of +40°C.  
 (4) Measured per conductor at +20°C.

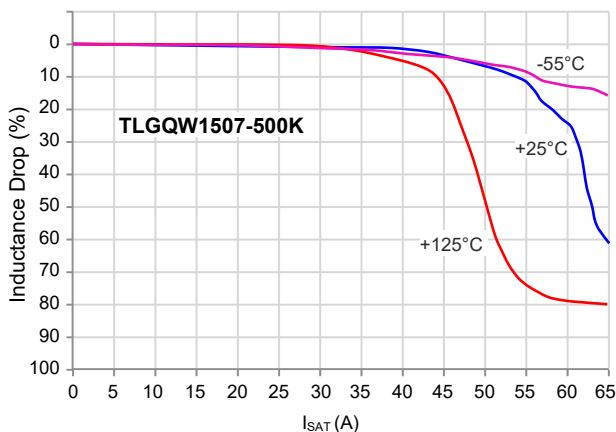
### Schematic



### Dimensions

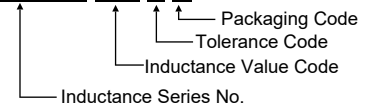


### Inductance Drop(%) - Isat Characteristic Graph



### Part Numbering

**TLGQW1507-500 K D**



- Resistance to solder heat: 260°C Max.
- Packaging Code:  
D: Reel diameter=330mm Carrier Tape Width=24mm  
Quantity: 600pcs/reel
- Tolerances:  
K=±10%