



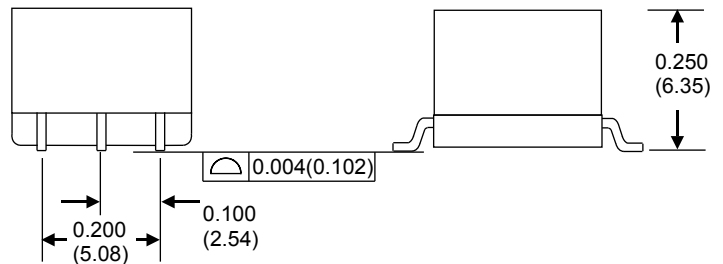
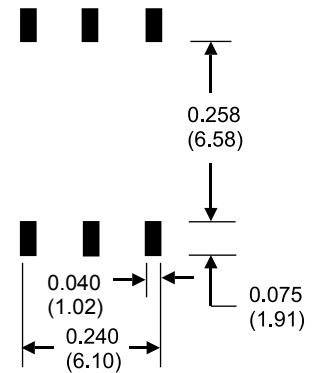
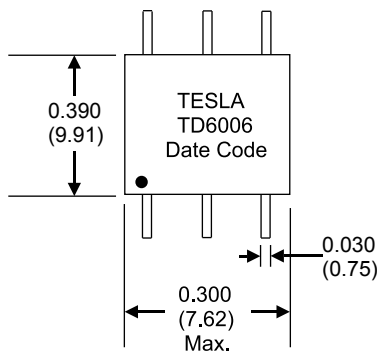
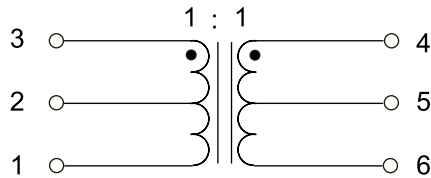
VDSL Transformer TD6006

- ⊕ Excellent longitudinal balance
- ⊕ Operating Temperature - 40°C to + 85°C
- ⊕ Per UL1950, EN60950 and IEC950

ELECTRICAL SPECIFICATIONS @ 25°C

* OCL (Min.)	Line Impedance	Turn Ratio (±2%)	Hi-Pot	Return Loss		Insertion Loss		Longitudinal Balance			Common Mode Rejection		
				0.20-20 MHz	20-30 MHz	200-400 kHz	0.4-30 MHz	200 kHz	11 MHz	100 MHz	10 MHz	30 MHz	100 MHz
10 kHz 100mV	Ω	10 kHz 100mV	1500 Vac 500 μA	0.20-20 MHz	20-30 MHz	200-400 kHz	0.4-30 MHz	200 kHz	11 MHz	100 MHz	10 MHz	30 MHz	100 MHz
(3-1)	(3-1)	(3-1):(4-6)	(3-1) to (4-6)	dB	dB	dB	dB	dB	dB	dB	dB	dB	dB
190 μH	100	1CT:1CT	1 minute	20	18	0.75	0.50	60	50	40	35	33	30

* OCL: Open Circuit Inductance,



Packaging: Add -T for Tape and Reel, TD6006-T

Dimensions are in inches/(mm) = ± 0.01(0.25)

Weight.....0.6 grams

Tube.....70/tube