

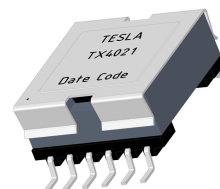


TX4021 Flyback Transformer



Features:

- Designed for Flyback applications up to 25 Watts
- Class F Insulation System
- Operating Temperature: -40°C to +125°C
- Storage Temperature: -40°C to +125°C
- Switching Frequency: 210 kHz



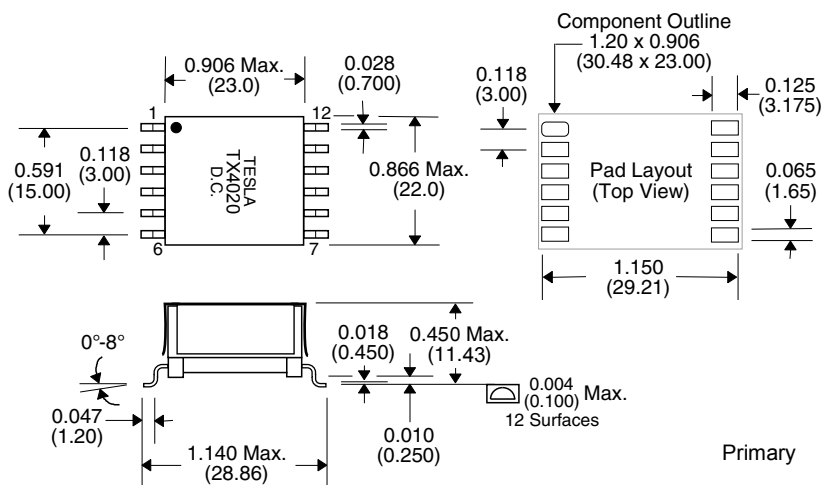
Electrical Specifications @25°C

Inductance ¹ ($\mu\text{H} \pm 10\%$)	Le ² ($\mu\text{H} \text{ max.}$)	DCR (m Ω max.)			Saturation Current (A typ.)	Turns Ratio Pri.:Sec.:Aux.	Output		Isolation ³	
		Pri.	Sec.	Aux.			Secondary	Auxiliary	Pri./Aux. To Sec.	Pri. To Aux.
Pri.	Pri.	Pri.	Sec.	Aux.	$ \Delta L/L < 20\%$	Pri.:Sec.:Aux.	Secondary	Auxiliary	Pri./Aux. To Sec.	Pri. To Aux.
15	0.2	0.020	0.012	0.205	6.75	1:€1 :€J	13V (2.3A)	14V (50mA)	1500Vrms	675 Vrms

Notes:

1. Primary inductance measured at 100kHz;1.0Vrms.
2. Leakage inductance measured at 100kHz;0.1Vrms with Sec. & Aux. windings shorted.
3. 1 minute isolation between Primary/Auxiliary to Secondary winding.

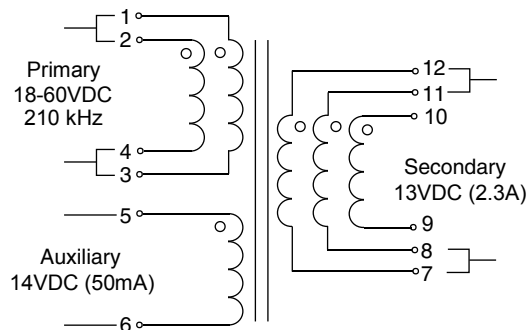
Dimensions



All Dimensions are in inches (mm).

Schematic

(Top View)



- Product weight: 13.6grams
- Moisture sensitivity level: 1
- Resistance to solder heat: 245°C
- Ordering Information:
TX4020 -Tube Packaging (39pcs./Tube)
TX4020T - Tray packaging (80pcs./Tray)
TX4020TR - Tape & Reel (200pcs./ 13"Reel)

Primary

Typical Inductance vs Current Characteristic

