



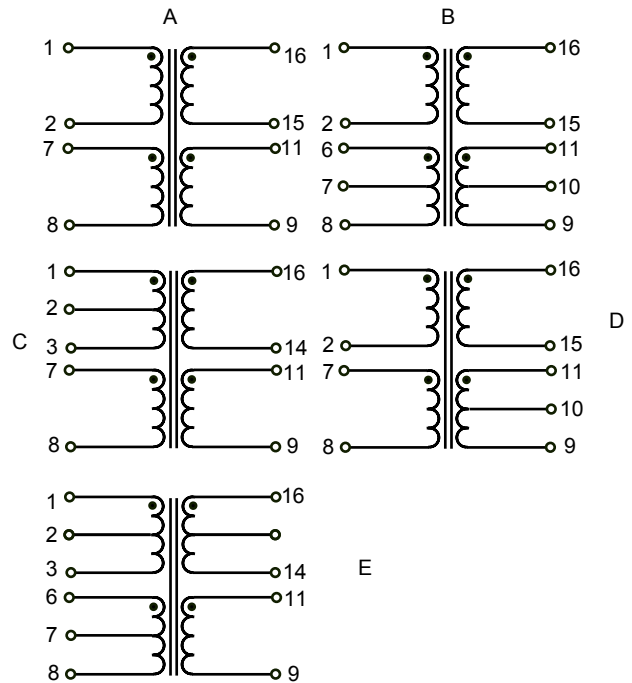
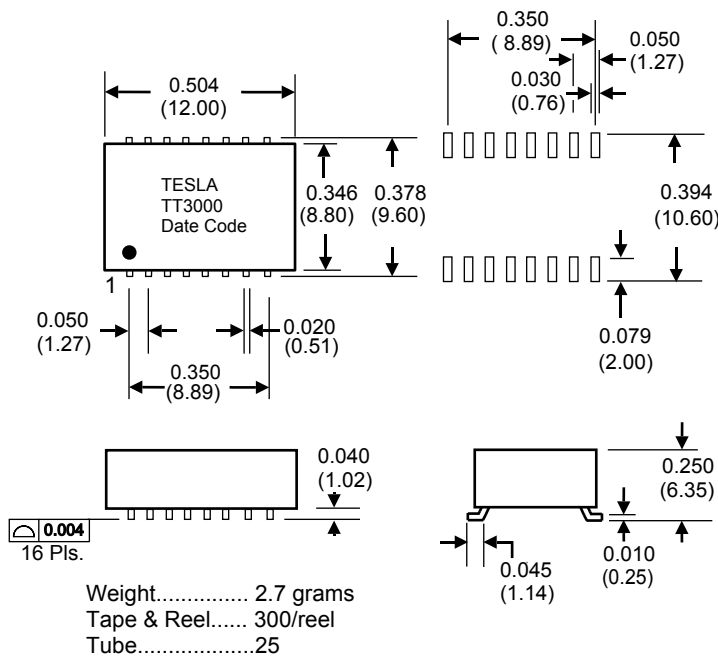
# ISDN Transformer TT3000- TT3004

- Optimized for use in T3/DS3, E3 and STS-1 applications
- Operating temperature - 40°C to + 85°C
- Dual transformer in small foot print

## ELECTRICAL SPECIFICATIONS @ 25° C

Part Number	*OCL ( $\mu$ H Min.)		Turn Ratio ( $\pm$ 2%)		Hi-POT 1500Vac, 500 $\mu$ A	*C <sub>ww</sub> pF		*LL ( $\mu$ H Max.)		Schematic
	10 kHz 100mV	10 kHz 100mV	Transmit	Receive		Pri to Sec	LINE : IC	Transmit	Receive	
TT3000	40 $\mu$ H	40 $\mu$ H	1:1	1:1	1 Second	10	10	0.10	0.10	A
TT3001	100 $\mu$ H	100 $\mu$ H	1CT:1CT	1:1	1 Second	10	10	0.11	0.11	B
TT3002	40 $\mu$ H	100 $\mu$ H	1:2CT	1:1	1 Second	12	10	0.11	0.11	C
TT3003	100 $\mu$ H	100 $\mu$ H	1:2CT	1:1	1 Second	12	10	0.12	0.11	D
TT3004	40 $\mu$ H	40 $\mu$ H	1:2CT	1:2CT	1 Second	12	12	0.11	0.11	E

\*OCL: Open Circuit Inductance, \*LL: Leakage Inductance, \*C<sub>ww</sub>: Interwinding Capacitance,



Packaging: Add -T for Tape & Reel , TT3000-T  
Dimensions are in inches/(mm) xx=  $\pm$  0.01(2.54)