

# ISDN Transformer TT3006- TT3011

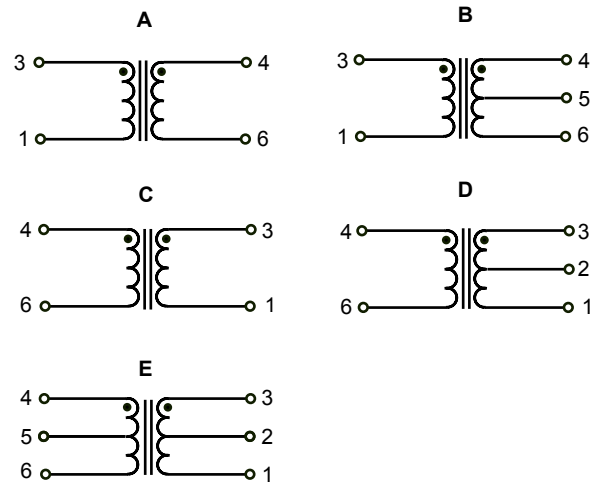
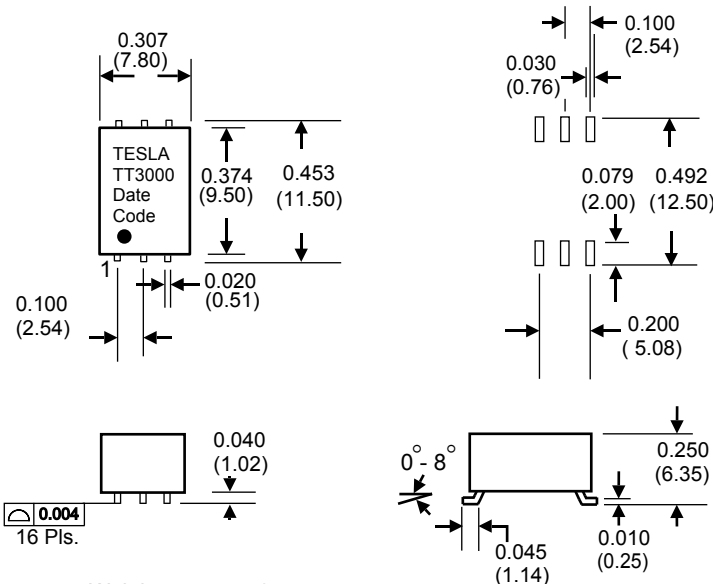
- Optimized to use in T3/DS3, E3, and STS-1 applications
- Operating temperature - 40°C to + 85°C
- Dual transformers in small foot print



## ELECTRICAL SPECIFICATIONS @ 25° C

*OCL ( $\mu\text{H}$ Min.)		Turn Ratio ( $\pm 2\%$ )	Frequency	Hi-POT	*C <sub>ww</sub>	*LL ( $\mu\text{H}$ Max.)	Primary Pins	Schematic
10 kHz 100mV		10 kHz 100mV	MHz	1500Vac 500 $\mu\text{A}$	pF	100 kHz, 100mV		
Part Number	Primary	Pri : Sec	75 $\Omega$	Pri to Sec	Pri to Sec	Pri to Sec		
TT3006	19 $\mu\text{H}$	1:2CT	0.250 - 500	1 Second	10	0.06	1-3	B
TT3007	40 $\mu\text{H}$	1:1	0.200 - 340	1 Second	10	0.10	1-3	A
TT3008	40 $\mu\text{H}$	1:2CT	0.250 - 500	1 Second	12	0.11	1-3	B
TT3009	40 $\mu\text{H}$	1:2CT	0.250 - 500	1 Second	12	0.11	4-6	D
TT3009	40 $\mu\text{H}$	1CT:1CT	0.250 - 340	1 Second	10	0.10	1-3	E
TT3010	40 $\mu\text{H}$	1:1.155CT	0.200 - 340	1 Second	12	0.15	4-6	D
TT3011	100 $\mu\text{H}$	1:1	0.200 - 340	1 Second	10	0.11	1-3	A

\*OCL: Open Circuit Inductance, \*LL: Leakage Inductance, \*C<sub>ww</sub>: Interwinding Capacitance,



Weight..... 2.7 grams  
Tape & Reel..... 450/reel  
Tube.....35

Packaging: Add -T for Tape & Reel , TT300X-T  
Dimensions are in inches/(mm) =  $\pm 0.010(2.54)$